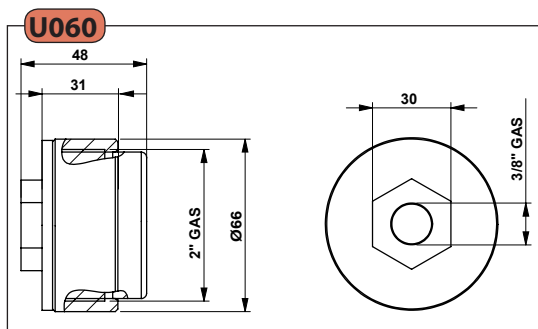
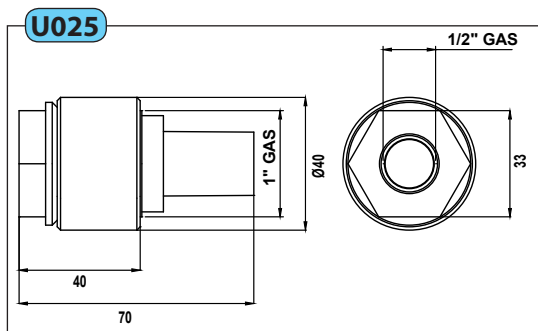




## TECHNICAL DATA SHEET



U025	Features	
	Air consumption	
	0.2 bar (2.9 psi)	
	L/min	Cfm
	0.83	0.03

U060	Air consumption	
	1 bar (14 psi)	
	L/min	Cfm
	30	1.1

APPLICATION	HOPPER AND SILO - PIPING
POWDER	FINE AND DUST (CEMENT AND LIME)
PROBLEM SOLVING	BRIDGE AND RAT-HOLING
<b>FEATURES</b>	
DUTY CICLE	CONTINUOUS
WORKING PRESSURE	FROM 0.2 BAR TO 1 BAR (FROM 2.9 PSI TO 14 PSI)
PNEUMATIC CIRCUIT	FILTER+FLOW CONTROL VALVE
AIR SUPPLY QUALITY	CLASS 5.4.1.
WORKING TEMPERATURE	FROM -20°C TO 80°C (FROM -4°F TO 176°F)
TECHNOLOGY	FLUIDIFICATION
MATERIAL	U060 - RING CARBON STEEL   SINTERIZED PET FILTER   PS BODY U025 - RING CARBON STEEL   SINTERIZED BRASS FILTER   PET BODY