



MVE 4000/3E

Three Phases - 2 poles - 3000 RPM - 50 Hz
230/400 Volt



Mechanical Features		Electric Features	
General		General	
Working Moment	79.4 kgcm	Nominal Voltage	Δ : 230 V Y : 400 V
Unbalance	39.7 kgcm	Input Power	2.9 kW
FC	4033 kg	Current A Max	Δ : 9.22 A Y : 5.3 A
Bearings		Power factor	0.74
TYPE (SKF)	NJ 2311	Ia/In	8,5
Life(h)	100% 8520	Certification	
	80%: 17926	ATEX II 2GD Ex e II T3 Ex tD A21 T150° IP66	
	50%: 85881	tE	12,1 sec
Bearing Grease (SKF LGHP2)		Max Amb Temp.	40 °C
Lube Schedule (g)	26		
Lube Replacement (g)	52		

Dimensional Features (mm)

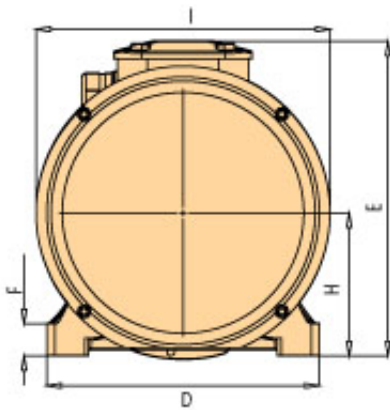
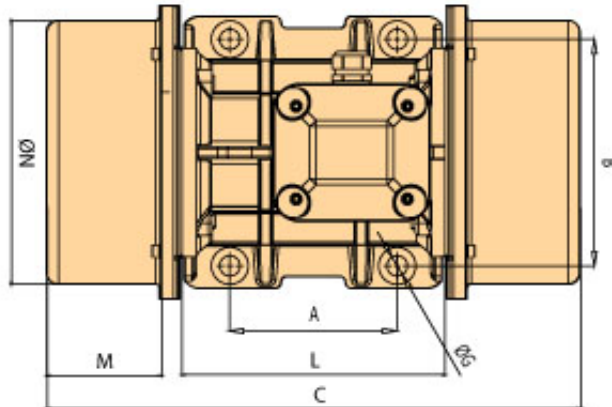


Fig. D



A	155
B	255
G	25
C	538
M	115
holes	4
D	302
E	318
F	35
H	147
I	295
L	273
N	264

Clamping Torque(Nm)

696

[Drawings Download]

Weight(kg)	Screw	Washer	Cable Type	Cable Glande
107	M24	25x44	4Gx6	M32

REV.0-01/10/2010