



# MVE 200/1

Three Phases - 6 poles - 1000 RPM - 50 Hz  
230/400 Volt



Mechanical Features		Electric Features	
<b>General</b>		<b>General</b>	
Working Moment	33.49 kgcm	Nominal Voltage	Δ : 230 V    Y : 400 V
Unbalance	16.74 kgcm	Input Power	0.18 kW
FC	187 kg	Current A Max	Δ : 0.92 A    Y : 0.53 A
<b>Bearings</b>		Power factor	0.37
TYPE (SKF)	6303 2RS	Ia/In	2
Life(h)	100% >100000	<b>Certification</b>	
	80%: >100000	ETL CLASS II DIV.II GROUP F,G TENV NEMA 4	T4
	50%: >100000	ATEX II 3D Ex tD A22 IP66	T 100°
<b>Bearing Grease (SKF LGHP2)</b>		Max Amb Temp.	40 °C
Lube Schedule (g)			
Lube Replacement (g)			

## Dimensional Features (mm)

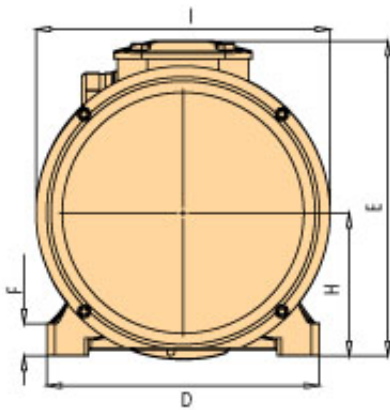
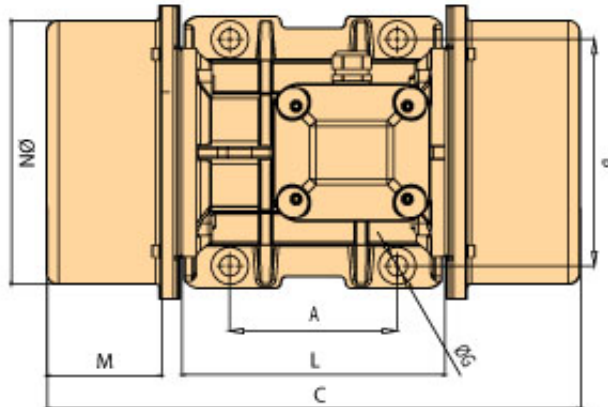


Fig. D



A	105
B	140
G	13
C	334
M	78
holes	4
D	168
E	196
F	22
H	92
I	169
L	178
N	158

Clamping Torque(Nm)

80

[ Drawings Download ]

Weight(kg)	Screw	Washer	Cable Type	Cable Glande
19.6	M12	13x24	4Gx2.5	M20

REV.0-01/10/2010