



# MVE 3000/1

Three Phases - 6 poles - 1000 RPM - 50 Hz  
230/400 Volt



Mechanical Features		Electric Features	
<b>General</b>		<b>General</b>	
Working Moment	540.33 kgcm	Nominal Voltage	$\Delta$ : 230 V    Y : 400 V
Unbalance	270.17 kgcm	Input Power	2.2 kW
FC	3017 kg	Current A Max	$\Delta$ : 7.83 A    Y : 4.5 A
<b>Bearings</b>		Power factor	0.72
TYPE (SKF)	NJ 2311	Ia/In	5
Life(h)	100% 67260	<b>Certification</b>	
	80%: >100000	ETL CLASS II DIV.II GROUP F,G TENV NEMA 4	T4
	50%: >100000	ATEX II 3D Ex tD A22 IP66	T 135°
<b>Bearing Grease (SKF LGHP2)</b>		Max Amb Temp.	40 °C
Lube Schedule (g)	26		
Lube Replacement (g)	52		

## Dimensional Features (mm)

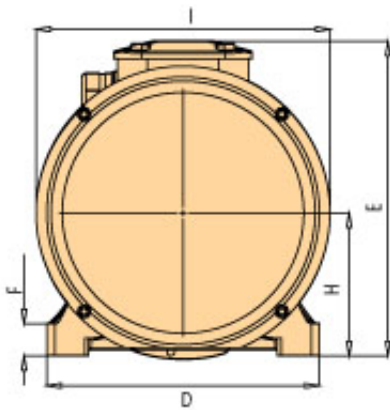
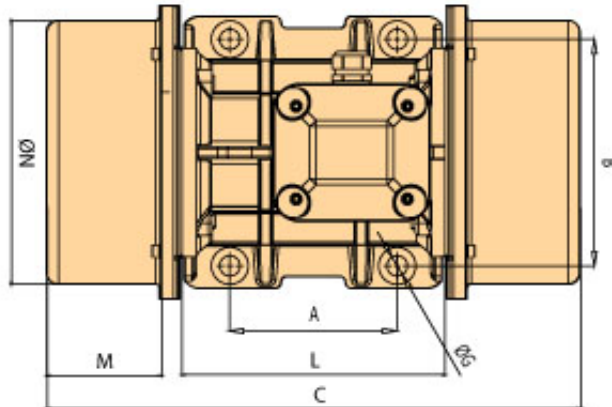


Fig. D



A	155
B	255
G	23.5
C	708
M	200
holes	4
D	302
E	318
F	35
H	147
I	295
L	273
N	264

Clamping Torque(Nm)

550

[ Drawings Download ]

Weight(kg)	Screw	Washer	Cable Type	Cable Glande
155.4	M22	23x39	4Gx6	M32

REV.0-01/10/2010