



MVE 6500/075

Three Phases - 8 poles - 750 RPM - 50 Hz
230/400 Volt



Mechanical Features		Electric Features	
General		General	
Working Moment	1435.85 kgcm	Nominal Voltage	Δ : 230 V Y : 400 V
Unbalance	717.92 kgcm	Input Power	5 kW
FC	4510 kg	Current A Max	Δ : 17.4 A Y : 10 A
Bearings		Power factor	0.75
TYPE (SKF)	NJ 2315	Ia/In	3,6
Life(h)	100% >100000	Certification	
	80%: >100000	ETL CLASS II DIV.II GROUP F,G TENV NEMA 4	T4
	50%: >100000	ATEX II 3D Ex tD A22 IP66	T 135°
Bearing Grease (SKF LGHP2)		Max Amb Temp.	40 °C
Lube Schedule (g)	60		
Lube Replacement (g)	120		

Dimensional Features (mm)

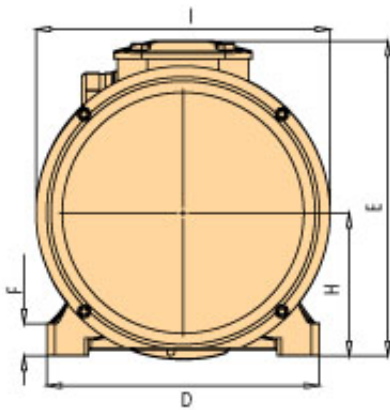
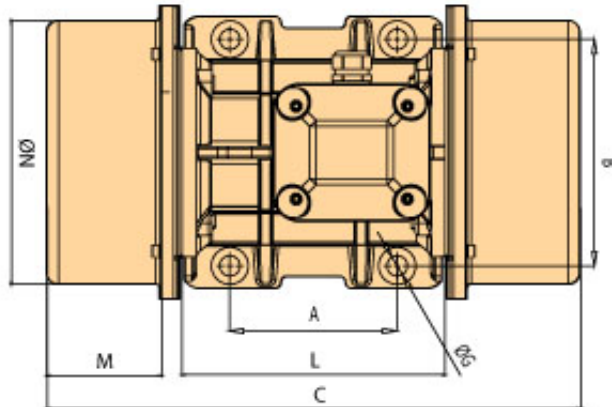


Fig. D



A	200
B	320
G	28
C	785
M	210
holes	4
D	385
E	410
F	49
H	199
I	422
L	325
N	378

Clamping Torque(Nm)

873

[Drawings Download]

Weight(kg)	Screw	Washer	Cable Type	Cable Glande
324.4	M27	28x50	4Gx6	M32

REV.0-01/10/2010