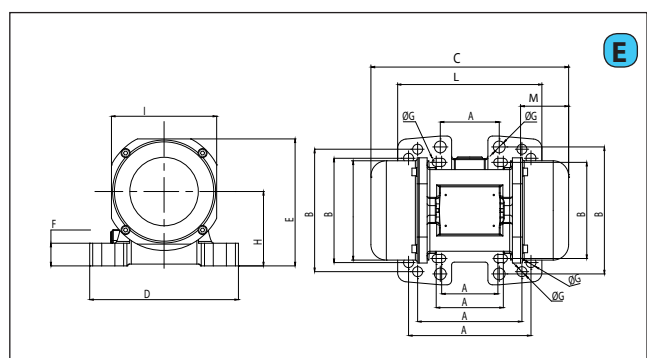
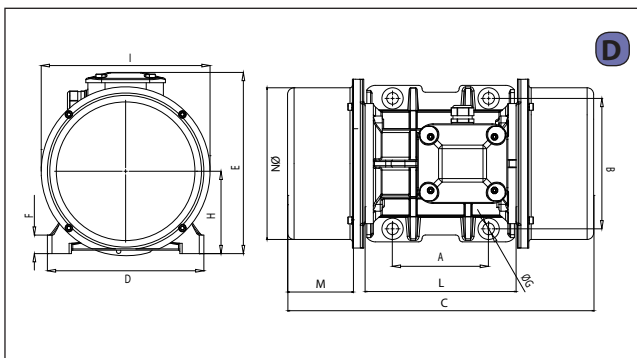
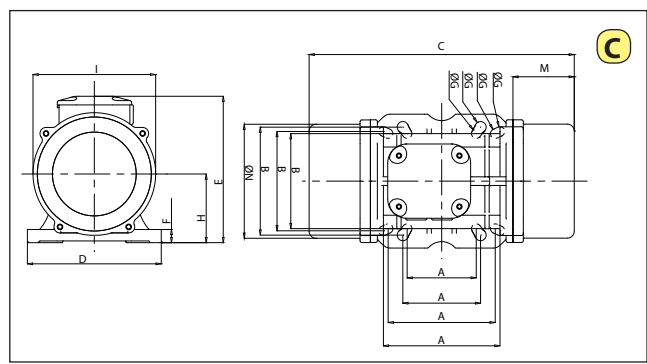
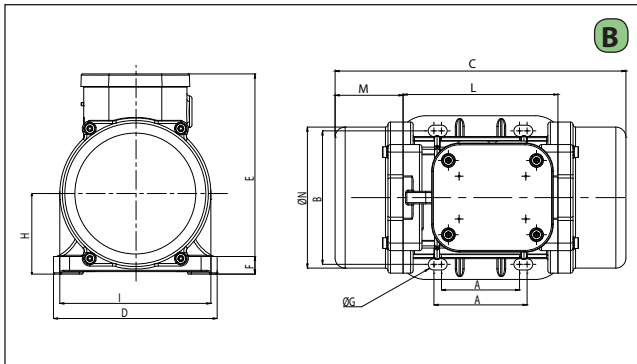
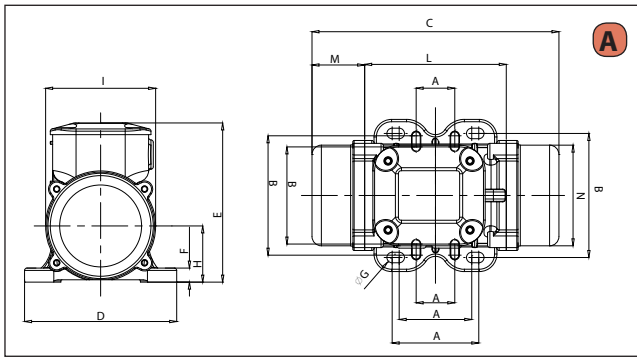


# MVE - 2 Poles - Electric vibrators



## TECHNICAL DATA SHEET



3 Phase		1 Phase	Overall dimension																				Weight								
Type 50/60Hz	U.S. Market 60 Hz	Type 50/60 Hz	Drawing	Size	c		m		a		b		ø g		N° Holes	d		e		f		h		i		l		n		(Kg)	(Lb)
(mm)	(inch)	(mm)			(inch)	(mm)	(inch)	(mm)	(inch)	(mm)	(inch)	(mm)	(inch)	(mm)		(inch)	(mm)	(inch)	(mm)	(inch)	(mm)	(inch)	(mm)	(inch)	(mm)	(inch)	(mm)	(inch)	(mm)		
MVE 60/3	MVE 160/2	MVE 60/3M	A	10	211	8.31	45	1.77	62-74	2.44-2.91	106	4.17	9	0.35	4	130	5.12	136	5.35	12	0.47	48	1.89	94	3.70	121	4.76	85	3.35	4.2	9.3
MVE 100/3	MVE 220/2	MVE 100/3M	A	10	211	8.31	45	1.77	33	1.30	83-102	3.27-4.02	7	0.28	4	130	5.12	136	5.35	12	0.47	48	1.89	94	3.70	121	4.76	85	3.35	4.6	10.1
MVE 200/3	MVE 440/2	MVE 200/3M	B	20	231	9.09	54	2.13	62-74	2.44-2.91	106	4.17	9	0.35	4	131	5.16	159	6.26	15	0.59	64	2.52	121	4.76	123	4.84	112	4.41	7.0	15.4
MVE 202/3	MVE 444/2	MVE 202/3M	E	23	218	8.58	53	2.09	62-74	2.44-2.91	106	4.17	9	0.35	4	164	6.46	140	5.51	25	0.98	82	3.23	116	4.57	159	6.26	110	4.33	7.2	15.9
									65	2.56	140	5.51	13	0.51																	
									115	4.53	135	5.31	11	0.43																	
MVE 300/3	MVE 690/2	-	C	30	253	9.96	45	1.77	80	3.15	110	4.33	11	0.43	4	154	6.06	175	6.89	15	0.59	79	3.11	142	5.59	163	6.42	131	5.16	9.8	21.6
									90	3.54	125	4.92	13	0.51																	
									124	4.88	110	4.33	11	0.43																	
MVE 400/3	MVE 890/2	-	D	40	273	10.75	55	2.17	135	5.31	115	4.53	11	0.43	4	154	6.06	175	6.89	15	0.59	79	3.11	142	5.59	163	6.42	131	5.16	10.3	22.7
MVE 500/3	MVE 1200/2	-	D	40	334	13.15	78	3.07	105	4.13	140	5.51	13	0.51	4	168	6.61	196	7.72	22	0.87	92	3.62	169	6.65	178	7.01	158	6.22	15.8	34.8
MVE 700/3	MVE 1700/2	-	D	50	321	12.64	58	2.28	120	4.72	170	6.69	17	0.67	4	208	8.19	210	8.27	22	0.87	94	3.70	180	7.09	205	8.07	170	6.69	16.5	36.4
MVE 800/3	MVE 1800/2	-	D	50	321	12.64	58	2.28	120	4.72	170	6.69	17	0.67	4	208	8.19	210	8.27	22	0.87	94	3.70	180	7.09	205	8.07	170	6.69	20.6	45.4





## MVE 3 Phase Series

3 Phase		Mechanical Features								Electric Features														
		Working moment (*)				FC				Power				Current		Power Factor		la/In	ClassII Div.2	II 2D	Cable Type		Cable Gland	
		Kg*cm		in*Lb		Kg		Lb		Kw		Hp		A max (V)						Type	U.S. Market			
Type 50/60 Hz	U.S. Market 60 Hz	50Hz	60Hz	50Hz	60Hz	50Hz	60Hz	50Hz	60Hz	50 hz	60 hz	50 hz	60 hz	400V	460V	50Hz	60Hz	50Hz	60Hz	Temp. Class	Temp. Class	Class Temp.	Type: AWG (50W) Class Temp.	Class Temp.
MVE 60/3	MVE 160/2	1.3	0.9	1.1	0.9	66	71	145.5	156.5	0.08	0.09	0.11	0.12	0.16	0.18	0.74	0.82	3	3	T4	100	4G1.5 80°C	18-4c 90°C	M16 80°C
MVE 100/3	MVE 220/2	1.9	1.3	1.7	1.1	98	95	216	209.4	0.1	0.11	0.13	0.15	0.19	0.18	0.76	0.85	3	3	T4	100	4G2.5 80°C	16-4c 90°C	M20 80°C
MVE 200/3	MVE 440/2	3.7	2.6	3.2	2.3	187	189	412.3	416.7	0.18	0.21	0.24	0.28	0.35	0.35	0.78	0.87	3.3	3.30	T4	100			
MVE 202/3	MVE 444/2	3.7	2.6	3.2	2.3	187	189	412.3	416.7	0.18	0.21	0.24	0.28	0.35	0.35	0.78	0.87	3.3	3.30	T4	100			
MVE 300/3	MVE 690/2	6.4	4.5	5.5	3.9	321	323	708	712.1	0.27	0.28	0.36	0.38	0.52	0.45	0.84	0.89	3.60	3.50	T4	100			
MVE 400/3	MVE 890/2	7.9	5.7	6.9	4.9	407	411	897	906.1	0.30	0.36	0.40	0.48	0.58	0.60	0.88	0.88	3.50	3.50	T4	100			
MVE 500/3	MVE 1200/2	10.3	7.4	8.9	6.4	530	534	1168.4	1177.3	0.50	0.58	0.67	0.78	0.96	0.97	0.84	0.87	4.00	4.20	T4	100			
MVE 700/3	MVE 1700/2	14.9	10.6	12.9	9.2	758	765	1671.1	1686.5	0.66	0.75	0.89	1.01	1.25	1.24	0.83	0.88	4.30	5.00	T4	100			
MVE 800/3	MVE 1800/2	15.7	11.1	13.6	9.6	794	800	1750.5	1763.7	0.75	0.90	1.01	1.21	1.45	1.50	0.79	0.84	3.80	3.80	T4	100			

## MVE Single Phase Series

Type 50 Hz	Type 60 Hz	U.S. Market	Mechanical features								Electric Features														
			Working moment (*)				FC				Power				Current			Capacitor			ClassII Div.2	II 2D	Cable type		Cable gland
			Kg*cm		in*Lb		Kg		Lb		Kw		Hp		A max			µF	Temp. Class	Temp. Class			Class	U.S. Market	
MVE 60/3M	MVE 60/36M	MVE 160/2M	1.3	1.0	1.1	0.9	66	71	145.5	156.5	0.08	0.09	0.11	0.12	0.43	1.03	3	3			6.3	T4	100	4G1.5	18-4c
MVE 100/3M	MVE 100/36M	MVE 220/2M	1.9	1.3	1.7	1.1	98	95	216.1	209.4	0.1	0.11	0.13	0.15	0.54	1.3	4	4	8	T4	100	80°C	90°C	80°C	
MVE 200/3M	MVE 200/36M	MVE 440/2M	3.7	2.6	3.2	2.3	187	189	412.3	416.7	0.18	0.21	0.24	0.28	1.14	2.62	8	8	16	T4	100	4G2.5	16-4c	M20	
MVE 202/3M	MVE 202/36M	MVE 444/2M	3.7	2.6	3.2	2.3	187	189	412.3	416.7	0.18	0.21	0.24	0.28	1.14	2.62	8	8	16	T4	100				
MVE 300/3M	MVE 300/36M	MVE 690/2M	6.4	4.4	5.5	3.9	321	323	707.7	712.1	0.27	0.28	0.36	0.38	1.58	3.43	12.5	12.5	25	T4	100	80°C	90°C	80°C	

APPLICATION	HOPPER AND SILO - FEEDER - SCREEN
POWDER	FINE - DRY GRANULAR
PROBLEM SOLVING	BRIDGE AND RAT-HOLING
<b>FEATURES</b>	
DUTY CICLE	DISCONTINUOUS - S1
FREQUENCY RANGE	FROM 20Hz TO 60Hz [WITH INVERTER]
ENVIROMENT TEMPERATURE	FROM -20°C TO 40°C (FROM -4°F TO 104°F)
MAX NOISE LEVEL	76 dB(A)
ATEX	II 3 D Ex tD A22 Tx IP 66
MATERIAL	BODY ALUMINUM - ALUMINUM (POWDER PAINTED) COVER
<b>OPTION</b>	
CAPACITOR	AVAILABLE
ATEX	II 2 D Ex T IIIC Tx Db IP 66
CUSTOMIZED CABLE	AVAILABLE



This information is furnished without warranty, representation, inducement or license of any kind. It is accurate to the best OLI knowledge or is obtained from sources believed to be accurate. OLI therefore assumes no legal responsibility.